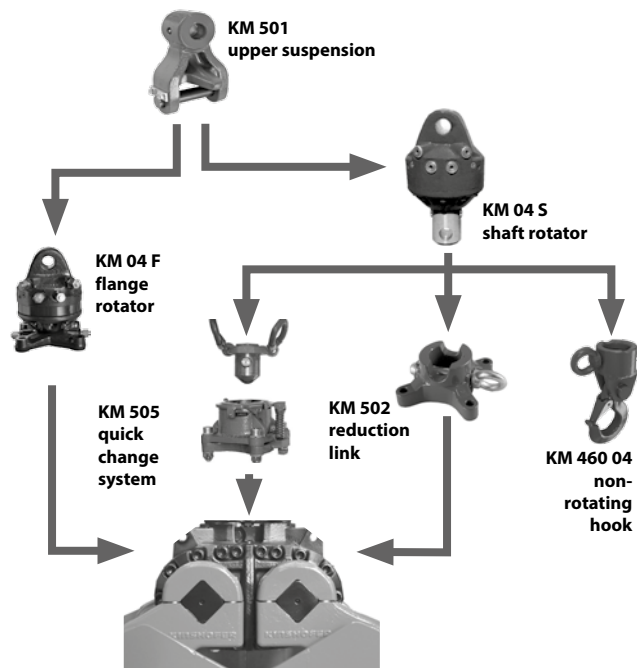


The **HPXdrive Standard** as an allround unit is perfect for the daily routine jobs. The advantages of the **HPXdrive-technology** – the constant high closing force and the compact design – guarantee a long life and reliability.

The standard rotator of the **HPXdrive Standard** is the **KINSHOFER** rotator with flange KM 04 F140-30V. In case a quick change to a non-rotating hook is necessary, the **HPXdrive** can be delivered with the **KINSHOFER** shaft rotator KM 04 S in combination with either the quick change system KM 505 or the reduction link KM 502.

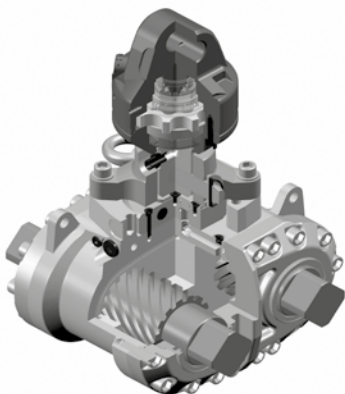
Technical Information **HPXdrive Standard**:

Torque (at 26 MPa):	12000 Nm
Operating pressure:	26 - 32 MPa (approx. 260 - 320 bar)
Pump capacity:	25 - 75 l/min



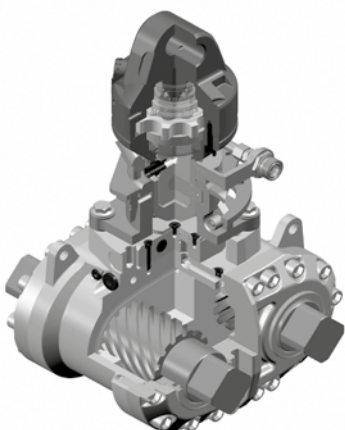
HPXdrive Standard with Flange Rotator HPX-SD-04F-30V

- Package consists of:** upper suspension KM 501 4500, rotator KM 04 F140-30V, drive unit **HPXdrive Standard** with pressure relief valve and non-return valve
- Self weight:** 160 kg
- Height:** 480 mm



HPXdrive Standard/502 with Shaft Rotator and Reduction Link HPX-SD-502

- Package consists of:** upper suspension KM 501 4500, rotator KM 04 S, reduction link KM 502 4500, short connecting hoses KM 203 01, drive unit **HPXdrive Standard** with pressure relief valve and non-return valve
- Self weight:** 165 kg
- Height:** 535 mm



HPXdrive Standard/505 with Shaft Rotator and Quick Change System HPX-SD-505

- Package consists of:** upper suspension KM 501 4500, rotator KM 04 S, quick exchange system KM 505, connecting hoses KM 203 01, drive unit **HPXdrive Standard** with pressure relief valve and non-return valve
- Self weight:** 170 kg
- Height:** 575 mm
- Note:** for heavy duty tasks we recommend the quick change system KM 505 HD in combination with KM 04 S68-30US

Please note: The drive unit **HPXdrive Standard** can only be used in combination with **KINSHOFER** Rotator and **KINSHOFER** Shells

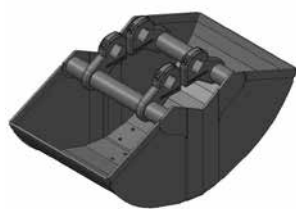
HPXdrive Standard Shells

The bucket shells of the **HPXdrive Standard** are bolted to the shafts, and therefore it is very easy to replace them with another set of shells. Different types of shells for different applications can be refitted onto the driving unit, e.g. clamshell bucket, rock grapple, timber grapple, hay and forestry grapple and multi purpose clamshell. Other types of shells are available on request.

The interchangeable shells are delivered with an exchange aid that guarantees the **HPXdrive Standard** can be positioned with ease.

Package consists of: exchangeable shells, bolt-on teeth (for KM 604HPX, KM 626HPX), exchange aid kit

Exchangeable Shells



Type	Volume (litre)	Width (mm)	max. Opening (mm)	Number of teeth/tines	Self weight (kg)
Shells for Clamshell Bucket – KM 604HPX					
KM 604HPX-200S	200	400	1395	4	130
KM 604HPX-250S	250	500	1395	4	145
KM 604HPX-325S	325	600	1395	6	160
KM 604HPX-350S	350	650	1395	6	165
KM 604HPX-450S	450	800	1395	6	180



Type	Volume (litre)	Width (mm)	max. Opening (mm)	Number of teeth/tines	Self weight (kg)
Shells for small Clamshell Bucket – KM 626HPX					
KM 626HPX-95S	95	400	900	4	90
KM 626HPX-100S	100	450	900	4	95
KM 626HPX-150S	150	600	900	6	120



Type	Volume (litre)	Width (mm)	max. Opening (mm)	Number of teeth/tines	Self weight (kg)
Shells for Clamshell Bucket with open shells – KM 604U HPX					
KM 604U HPX-250S	250	570	1595	-	215
KM 604U HPX-300S	300	670	1595	-	235
KM 604U HPX-400S	400	820	1595	-	255
KM 604U HPX-500S	500	1020	1595	-	285



Type	Volume (litre)	Width (mm)	max. Opening (mm)	Number of teeth/tines	Self weight (kg)
Shells for Rock Grapple – KM 613HPX					
KM 613HPX-0,16S	0,16 m ²	400	1230	-	75



Type	Volume (litre)	Width (mm)	max. Opening (mm)	Number of teeth/tines	Self weight (kg)
Shells for Timber Grapple – KM 632HPX					
KM 632HPX-0,16S	0,16 m ²	400	1225	-	75



Type	Volume (litre)	Width (mm)	max. Opening (mm)	Number of teeth/tines	Self weight (kg)
Shells for Hay and Forestry Grapple – KM 641HPX					
KM 641HPX-0,2S	0,20 m ²	670	1200	7	95
KM 641HPX-0,4S	0,40 m ²	940	1695	7	160

Please note: The drive unit **HPXdrive Standard** can only be used in combination with **KINSHOFER** Rotator and **KINSHOFER** Shells